

## OPERATION & SAFETY MANUAL



**! WARNING**

*These instructions are for your personal safety. Always ensure that you have read and understood these instructions before using the machinery.*  
**SAVE THESE INSTRUCTIONS FOR FUTURE REFERENCE.**

# TABLE OF CONTENTS

SAVE ALL WARNINGS AND INSTRUCTIONS FOR FUTURE REFERENCE

TOPIC	PAGE
Safety Information	3
General Machine Safety Information	4
Environment, Transport, Storage & Disposal	5
Declaration of Incorporation for a Partly Completed Machine	6
General Information	7
Operating Instructions	8
1. Pulling Handle / Liner Guide	8
2. Folding the Legs	9
3. Attaching Picote Midi Roller to the Wet-Out Station	10
Maintenance	12
Warranty Policy & Procedure	13

To watch practical demonstration videos, take a course, or to download an electronic copy of these Instructions, please visit [www.picoteinstitute.com](http://www.picoteinstitute.com). Please note that videos and courses are not intended as a replacement or alternative to this operating and safety manual, but only as an additional learning tool.

# SAFETY INFORMATION

SAVE ALL WARNINGS AND INSTRUCTIONS FOR FUTURE REFERENCE



*This section contains important safety information. Failure to comply could result in serious injury.*

## Safety Symbols

Safety symbols are used throughout this manual to draw attention to potential hazards.



**Danger** risk of serious injury, follow instructions.



**Danger** risk of serious injury from rotating parts, follow instructions.



**Danger** risk of entanglement.

**Do not operate this machine unless long hair has been confined. Do not wear loose clothing, gloves, jewellery or other items which can become entangled.**

## Personal Protective Equipment (PPE)

Always use Personal Protective Equipment including suitable protective clothing, footwear, plus:



Suitable eye protection to protect against chemicals from irritating eyes.



Suitable gloves to help prevent any contact with chemicals,

**Do not use gloves which can become entangled.**



Suitable respirator to prevent any dust or fumes being inhaled or consumed, which could cause occupational asthma or dermatitis.

# GENERAL MACHINE SAFETY INFORMATION

## SAVE ALL WARNINGS AND INSTRUCTIONS FOR FUTURE REFERENCE

### **WARNING**

*This section contains important safety information. Failure to comply could result in serious injury or death.*

**Always read all safety warnings and instructions.** Failure to follow warnings and instructions may result in electric shock, fire and/or serious injury.



1. **Always wear eye and chemical resistant gloves.**

Other personal protective equipment, such as dust mask, gloves and overalls should be worn when necessary. Do not wear loose clothing when using the machine. **Always wear appropriate personal protective equipment. DO NOT WEAR GLOVES THAT COULD BECOME ENTANGLED!**

2. Always ensure that the machine is fully turned off before inspection, maintenance, or installing any accessories to the machine. Always follow the instructions in the manufacturer's manual.

3. **Before each use** inspect the Wet-Out Station carefully for any potential break or damage. **Change damaged parts immediately.**

4. When in use, it is very important that the Wet-Out Station is stable and on an even surface at all times.

5. **Never leave the machine running unattended.**

6. Only operate the foot pedal or OPC as instructed. Never place anything on it in place of a foot.



7. **Never touch rotating parts.** Do not sit on the Wet-Out Station.

8. Only use this machine with the accessories and spare parts offered by Picote Solutions. Accessories and spare parts should only be used in the manner intended and as described by Picote Solutions.

**⚠ WARNING** *This section contains important safety information. Failure to comply could result in serious injury or death*

### ENVIRONMENTAL

<b>Operational Ambient Temperature Range:</b>	-20 °C to +60 °C (-4 °F to +140 °F) frost and condensation free
<b>Charge Ambient Temperature Range:</b>	0 °C to +45 °C (32 °F to +113 °F) frost and condensation free
<b>Storage Ambient Temperature Range:</b>	-20 °C to +45 °C (-4 °F to +113 °F) frost and condensation free
<b>Maximum Altitude:</b>	2000m or 6500 ft. Derate above 1000m or 3280ft: 1% / 100m or 328ft (when paired with Picote Midi Roller)
<b>Maximum Humidity:</b>	95% non-condensing

### TRANSPORT

Picote Wet-Out Station should be transported secured with ratchet straps to prevent any sudden movements or accidents caused by hard braking or accident. Always use a suitable cover to protect the unit from the elements.

### STORAGE

The Wet-Out Station should be stored indoors to protect it from rain and sunlight, somewhere with a constant ambient temperature. The best way to store the machine is using the same box that it was shipped in.

### DISPOSAL

The frame can be disposed of as metal waste. Separate the plastic handles and recycle as plastic waste.

Always follow local waste handling rules and regulations.

# DECLARATION OF INCORPORATION FOR A PARTLY COMPLETED MACHINE

**SAVE ALL WARNINGS AND INSTRUCTIONS FOR FUTURE REFERENCE**

We Picote Solutions Oy Ltd as the responsible manufacturer, declare that the following Picote Solutions Oy Ltd Cured-in-place pipe lining tool:

**Picote Wet-Out Station**

**Model No: Picote Wet-Out Station**

are of series production and

**Conform to the following EU Directive:**

2006/42/EY

And is manufactured in accordance with the following standards or standardised documents:

SFS-EN ISO 12100

SFS-EN ISO/TR 14121-2:2013

SFS-EN ISO 13857:2019

SFS-EN ISO 14120:2015

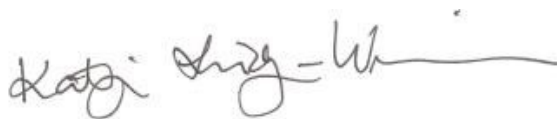
SFS-EN ISO 13854:2019

The technical documentation is kept by our authorised representative in Europe who is:

Picote Solutions Oy Ltd, Pienteollisuustie 24

06450 Porvoo, Finland

23th November 2021



Katja Lindy-Wilkinson

C.E.O.

Picote Solutions Oy Ltd

Pienteollisuustie 24, 06450 Porvoo, Finland

# GENERAL INFORMATION

SAVE ALL WARNINGS AND INSTRUCTIONS FOR FUTURE REFERENCE



# OPERATING INSTRUCTIONS

SAVE ALL WARNINGS AND INSTRUCTIONS FOR FUTURE REFERENCE

## Before operation:

**⚠ WARNING** - Before installing Picote Midi Roller to the Wet-Out Station, always make sure that the machine is fully turned off and the battery charger unplugged.

**⚠ CAUTION** - Consult machine operating manuals (Picote Midi Roller) for detailed information.

## While in operation:

Always lay the table down horizontally on the floor. Do not sit or stand on the table.

## SETTING UP THE WET-OUT STATION

**⚠ WARNING** *This section contains important safety information. Failure to comply could result in serious injury*

### 1. PULLING HANDLE / LINER GUIDE

Pull from the handle to fully extend it. The pulling handle also doubles as liner guide during the wetting stage.





# OPERATING INSTRUCTIONS

SAVE ALL WARNINGS AND INSTRUCTIONS FOR FUTURE REFERENCE

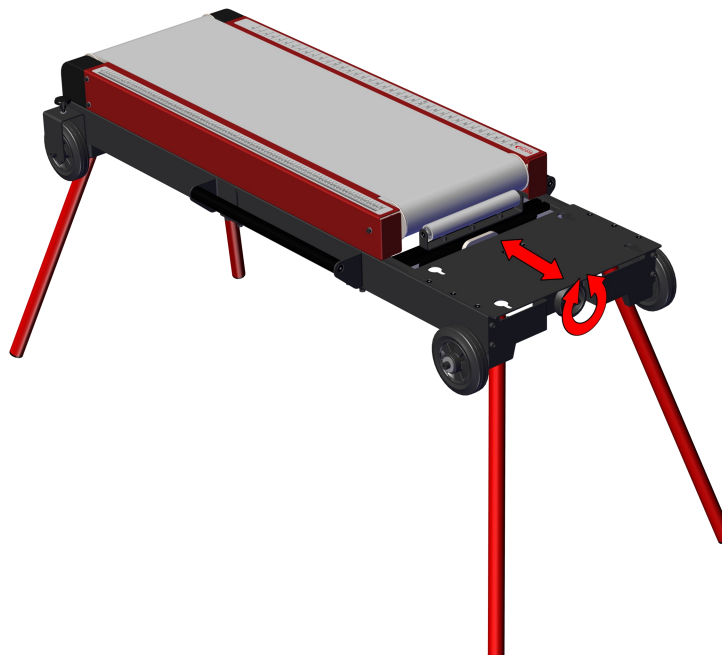
## 2. FOLDING THE LEGS

Each leg has a hand screw which needs to be loosened in order to move the legs to open or closed position. Always tighten the hand screws to secure the legs before operating the machine.



## 3. ATTACHING PICOTE MIDI ROLLER TO THE WET-OUT STATION

Rotate the tightening wheel to move the mounting plate further away from the friction roller.

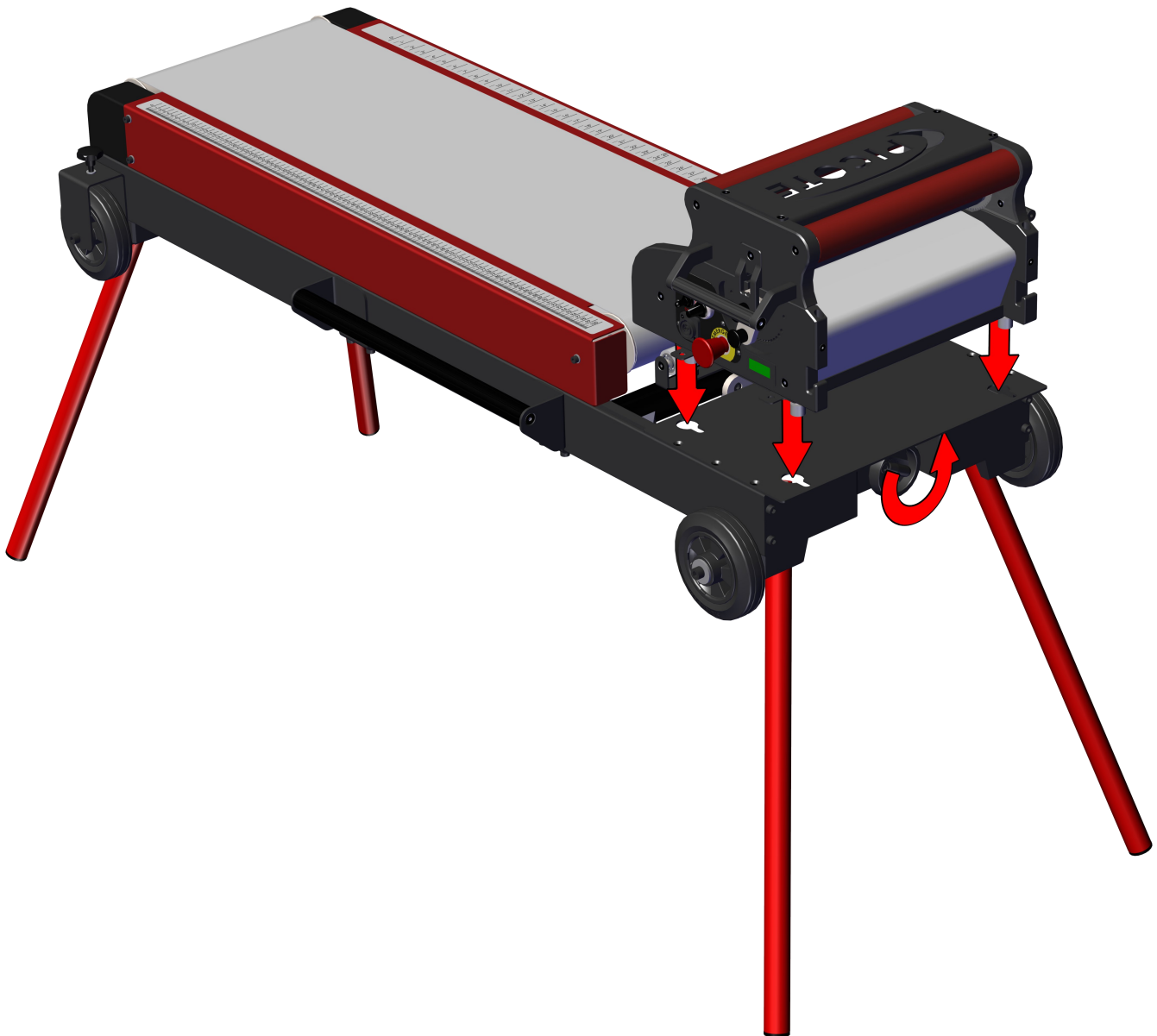


# OPERATING INSTRUCTIONS

SAVE ALL WARNINGS AND INSTRUCTIONS FOR FUTURE REFERENCE

## 3. ATTACHING PICOTE MIDI ROLLER TO THE WET-OUT STATION - cont.

Set Midi Roller on the mounting plate so the bottom bushings fall in to the holes on the mounting plate. Rotate the wheel to lock the assembly. If slipping occurs when working, tighten the lock on the assembly.



# MAINTENANCE

SAVE ALL WARNINGS AND INSTRUCTIONS FOR FUTURE REFERENCE

---

Maintenance task	Weekly	Monthly
Tightness of screws and condition of the frame		I
Clean the belt	P	

I: Inspect, fix or replace if needed.

P: Perform, replace if needed.

---

## CLEANING THE MACHINE

- **Do not run the machine while cleaning the belt!** To clean the belt completely, the machine needs to be turned on to move position only. Move the belt to a new position and turn off the machine again before cleaning.
- **Do not pour or spray water on the machine!**
- Use a damp cloth to clean the surfaces.

# WARRANTY POLICY & PROCEDURE

## SAVE ALL WARNINGS AND INSTRUCTIONS FOR FUTURE REFERENCE

### Limited Warranty:

Picote warrants to the original End User that the Product purchased by such End User will operate in accordance with, and substantially conform to their published specifications when shipped or otherwise delivered to the End User and for a period of one (1) year, except electric motors and batteries for which the warranty period shall be six (6) months, provided, however, that Picote does not warrant any claim or damage under this Warranty if such claim or damage results from:

1. Consumable parts or normal wear and tear resulting from use of the Products,
2. Product overload or overheated motor,
3. Regular periodic maintenance of Products,
4. Misuse, neglect, or improper installation or maintenance of the Products, or use of Products not for their intended purpose,
5. Products that have been altered, modified, repaired, opened or tampered with by anyone other than Picote or an authorized Picote Service Centre, or unsuitable or unauthorized spare parts, accessories or third party products when using the Products or;
6. the use of the Products not in compliance with their respective Documentation, user manuals, safety and maintenance instructions, and any usage restrictions contained therein, or
7. accident, fire, power failure, power surge, or other hazard.

Otherwise, the Products are sold AS IS. End User is responsible for using the Products within their specifications and instructions as contained in the Documentation.

**EXCEPT AS SPECIFIED IN THIS WARRANTY, ALL EXPRESS OR IMPLIED CONDITIONS, REPRESENTATIONS, AND WARRANTIES INCLUDING, WITHOUT LIMITATION, ANY IMPLIED WARRANTY OR CONDITION OF MERCHANTABILITY, FITNESS FOR A PARTICULAR PURPOSE, NON INFRINGEMENT, SATISFACTORY QUALITY OR ARISING FROM A COURSE OF DEALING, LAW, USAGE, OR TRADE PRACTICE, ARE HEREBY EXCLUDED TO THE EXTENT ALLOWED BY APPLICABLE LAW. TO THE EXTENT AN IMPLIED WARRANTY CANNOT BE EXCLUDED, SUCH WARRANTY IS LIMITED IN DURATION TO THE WARRANTY PERIOD. BECAUSE SOME STATES OR JURISDICTIONS DO NOT ALLOW LIMITATIONS ON HOW LONG AN IMPLIED WARRANTY LASTS, THE ABOVE LIMITATION MAY NOT APPLY. This disclaimer and exclusion shall apply even if the express warranty set forth above fails of its essential purpose.**

Revision number: Rev. 1

Author: Ville Hukkanen

Accepted: Dawn Greig 3/3/22

Date: NOV 2021



**Please Contact:**

Your Reseller or Picote  
[www.picotegroup.com](http://www.picotegroup.com)



**International Offices**

Finland. United Kingdom. USA.

**Technical Support**

[support@picotesolutions.com](mailto:support@picotesolutions.com)

**Claims**

[claims@picotesolutions.com](mailto:claims@picotesolutions.com)

**Production & R&D**

Pienteollisuustie 24  
06450 Porvoo, Finland  
[support@picotesolutions.com](mailto:support@picotesolutions.com)

**Authorized Resellers:**

[www.picotegroup.com/resellers](http://www.picotegroup.com/resellers)

**SAVE ALL WARNINGS AND INSTRUCTIONS FOR FUTURE REFERENCE**